

VEHICLE TYPE

TRANSMISSION TYPE

FSO 4305 A/B/C - DSO 4405 A/B/C -
CL3905 A/B/C

Kozmaksan EATON Power Take OFFs designed for Hino series main transmissions. Kozmaksan EATON PTOs has Single output model, Side Mounting type option and available for UNI&ISO mounting housing or suitable for flange connections.

Applications;

- Garbage Truck
- Crane Truck
- Dump Truck

PNEUMATIC

RIGHT SIDE

EAT.06.4305.H

Product Code

Transmission
FSO 4305 A/B/C - DSO 4405 A/B/C -
CL3905 A/B/C

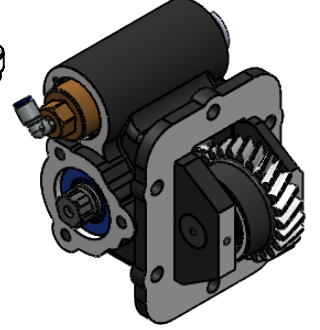
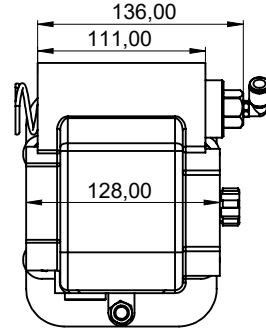
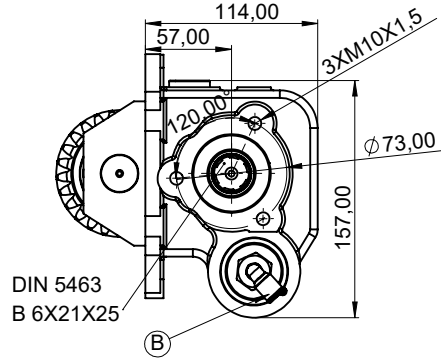
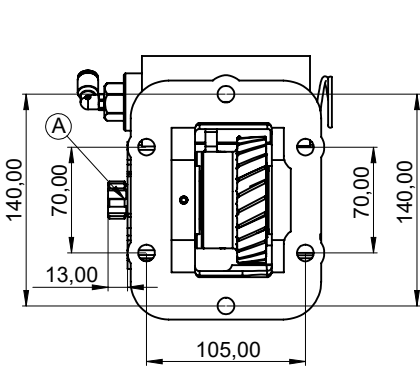
00

21.10.2019

02

Rev. Date

UNI OUTPUT



A	DIN 5463 6X21X25 UNI 3 BOLT MOUNTING
B	AIR INPUT R 1/8"

UNI OUTPUT

Power(kW)@1000 RPM 21

Max. Torque (Nm) 200

Weight (Kg) 10

Ratio 1,09/1 ↑

Engine to PTO Ratio

995rpm @1000rpm

Mounting Type

RIGHT SIDE

CW (CLOCK WISE)

- Kozmaksan has all rights to change information in this catalogue without announcing it. This document is representing general information. It is not a contract.
- All information belongs to only PTO/Split Shaft. Do not use PTO/Split Shaft, if it is not suitable for your engine and main transmission.
- Pumps, shafts and other parts should not be longer or heavier than approved distance and weight by the manufacturer of main transmission and engine.

KozmaksanPTO

kozmaksanpto

kozmaksan-hydraulics-pto

KOZANOĞLU
KOZMAKSAN

1.OSB. Erkunt Cad. No: 6 Sincan / ANKARA
Tel.+90 312 267 39 71-Fax +90 312 267 38 72
order@kozmaksan.com.tr
www.kozmaksan.com.tr



EAT.06.4305

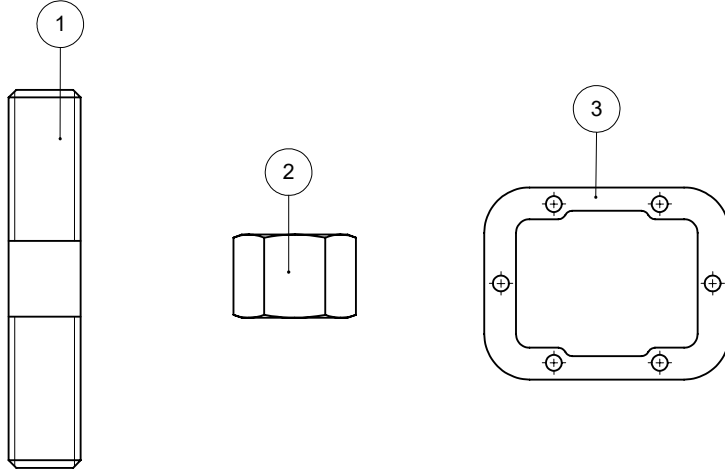
Product Code

00

21.10.2019

03

Rev. Date



No	CODE	DESCRIPTION			
1	T07-015	3/8" X 50 STUD (6 ADET)			
2	T08-004	3/8" NUT (6 ADET)			
3	T04-019	GASKET (1,0.5,0.3 mm)			

- Kozmaksan has all rights to change information in this catalogue without announcing it. This document is representing general information. It is not a contract.
- All information belongs to only PTO/Split Shaft. Do not use PTO/Split Shaft, if it is not suitable for your engine and main transmission.
- Pumps, shafts and other parts should not be longer or heavier than approved distance and weight by the manufacturer of main transmission and engine.

KozmaksanPTO



kozmaksanpto



kozmaksan-hydraulics-pt0

